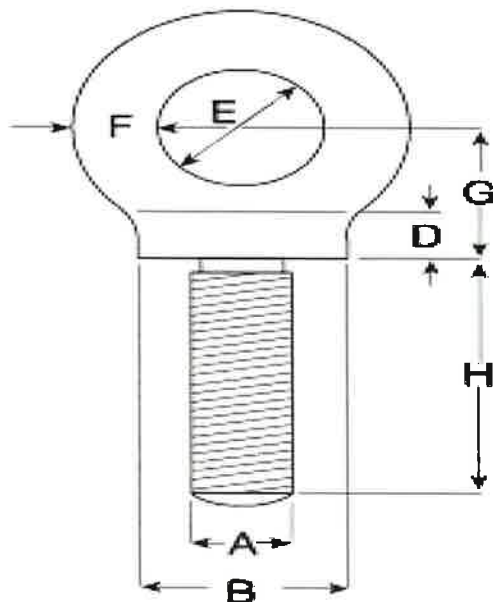


DIMENSIONS FOR HW 91/M/C PATTERN LONG SHANK COLLAR EYEBOLTS. BASED ON BS4278.

HW91 SERIES	WLL t	Thread Size	B mm	D mm	E mm	F mm	G mm	H mm	Weight Each Kgs
METRIC									
HW91M/1**	0.25	M10	29	10	19	11	25	178	0.25
HW91M/2	0.4	M12	29	10	19	11	25	178	0.3
HW91M/3A	0.5	M14	35	12	24	14	32	178	0.45
HW91M/3	0.8	M16	35	12	24	14	32	178	0.5
HW91M/4A	1	M18	45	15	30	18	43	178	0.8
HW91/4	1.6	M20	45	15	30	18	43	178	1
HW91M/5A	2	M22	45	20	39	23	51	178	1.4
HW91M/6	2.5	M24	57	19	39	23	51	178	1.8
HW91M/6A	2.5	M27	72	24	48	29	63	195	2.6
HW91M/8	4	M30	72	24	48	29	63	195	2.8
HW91M/8A	4	M33	72	24	48	29	63	195	2.9
UNC									
HW91C/1	0.25	3/8"	29	10	19	11	25	178	0.25
HW91C/2	0.5	1/2"	29	10	19	11	25	178	0.3
HW91C/3	0.9	5/8"	35	12	24	14	32	178	0.5
HW91C/4	1.4	3/4"	45	15	30	18	43	178	0.9
HW91C/5A	2	7/8"	57	19	39	23	51	178	1.5
HW91C/6	2.75	1"	57	19	39	23	51	178	1.9
HW91C/7	3.5	1.1/8"	72	24	48	29	63	195	2.8
HW91C/8	4.5	1.1/4"	72	24	48	29	63	195	2.9
BSW									
HW91/1	0.25	3/8"	29	10	19	11	25	178	0.25
HW91/2	0.5	1/2"	29	10	19	11	25	178	0.3
HW91/3	0.9	5/8"	35	12	24	14	32	178	0.5
HW91/4	1.4t	3/4"	45	15	30	18	43	178	1
HW91/5	2	7/8"	57	19	39	23	51	178	1.1
HW91C/6	2.75	1"	57	19	39	23	51	178	1.8
HW91/7	3.5	1.1/8"	72	24	48	29	63	195	2.8
HW91/8	4.5	1.1/4"	72	24	48	29	63	195	2.9

*Eyebolts shown in** spec follow the basic design and manufacturing requirements of the standard eyebolts **threads under M12 are not specified in view of there susceptibility for lifting due to damage and over tightening.*



COLLAR EYEBOLTS TO BS4278 TABLE 4.HW440/ BSW AND HW440C/ UNC

PART No:	WLL t	A Thread Size	B	D	E	F	G	H	Maximum working load of a pair when 0°<φ<30 tonne	Maximum working load of a pair when 30°<φ<60 tonne	Maximum working load of a pair when 60°<φ<90 tonne	Weight Each Kgs
			mm	mm	mm	mm	mm	mm				
HW440A/DB**	0.1	1/4"	22	7	15	9	20	18				0.06
HW440B/DA**	0.15	5/16"	22	7	15	9	20	18				0.06
HW440/1	0.25	3/8"	22	7	15	9	20	18	0.32	0.2	0.13	0.07
HW440F/1*	0.375	7/16"	29	10	20	12	26	23				0.14
HW440/2	0.5	1/2"	29	10	20	12	26	23	0.63	0.4	0.25	0.16
HW440D/2*	0.7	9/16"	36	12	24	14	32	28				0.26
HW440/3	0.9	5/8"	36	12	24	14	32	28	1.13	0.72	0.45	0.28
HW440G/3*	1	11/16"	45	15	30	18	40	35				0.54
HW440/4	1.4	3/4"	45	15	30	18	40	35	1.76	1.12	0.7	0.56
HW440/5	2	7/8"	52	17	35	21	46	40	2.5	1.6	1	0.85
HW440/6	2.75	1"	58	20	39	23	52	46	3.47	2.2	1.38	1.14
HW440/7	3.5	1.1/8"	65	22	44	26	58	51	4.41	2.8	1.75	1.66
HW440/8	4.5	1.1/4"	72	24	48	29	64	56	5.67	3.6	2.25	2.24
HW90G/8A*	5.5	1.3/8"	86	27	57	33	76	63				3.12
HW440/9	6.5	1.1/2"	86	27	57	33	76	63	8.19	5.2	3.25	3.17
HW440/10	9	1.3/4"	101	34	68	40	90	79	11.34	7.2	4.5	6.4
HW440/11	12	2"	115	38	76	46	102	89	15.12	9.6	7.5	9.6
HW440/13	15	2.1/4"	128	43	86	51	114	100	18.9	12	7.5	15
HW440/13	20	2.1/2"	114	48	96	58	128	112	25.2	16	10	18.5
HW440/14*	30	3"	175	68	144	80	178	133	37.8	24	15	46.5
HW440CA/DB**	0.1	1/4"	22	7	15	9	20	18				0.06
HW440C/DB**	0.15	5/16"	22	7	15	9	20	18				0.06
HW440C/1	0.25	3/8"	22	7	15	9	20	18	0.32	0.2	0.13	0.07
HW440CC/1*	0.375	7/16"	29	10	20	12	26	23				0.14
HW440C/2	0.5	1/2"	29	10	20	12	26	23	0.63	0.4	0.25	0.16
HW440CC/2*	0.7	9/16"	36	12	24	14	32	28				0.26
HW440C/3	0.9	5/8"	36	12	24	14	32	28	1.13	0.72	0.45	0.28
HW440C/4	1.4	3/4"	45	15	30	18	40	35	1.76	1.12	0.7	0.28
HW440C/5	2	7/8"	52	17	35	21	46	40	2.5	1.6	1	0.85
HW440C/6	2.75	1"	58	20	39	23	52	46	3.47	2.2	1.38	1.14
HW440C/7	3.5	1.1/8"	65	22	44	26	58	51	4.41	2.8	1.75	1.66
HW440C/8	4.5	1.1/4"	72	24	48	29	64	56	5.67	3.6	2.25	2.24
HW90G/8A	5.5	1.3/8"	86	27	57	33	76	63				3.12
HW440C/9	6.5	1.1/2"	86	27	57	33	76	63	8.19	5.2	3.25	3.17
HW440C/10	9	1.3/4"	101	34	68	40	90	79	11.34	7.2	4.5	6.4
HW440C/11	12	2"	115	38	76	46	102	89	15.12	9.6	7.5	15
HW440C/12	15	2.1/4"	128	43	86	51	114	100	18.9	12	7.5	18.5
HW440C/13	20	2.1/2"	114	48	96	58	128	112	25.2	16	10	18.5
HW440C/14*	30	3"	175	68	144	80	178	133	37.8	24	15	46.5

EBYEBOLTS SHOWN IN ** SPCX FOLLOW THE BASIC DESIGN AND MANUFACTURING REQUIREMENTS OF THE STANDARD EYEBOLTS * THREADS UNDER M12 ARE NOT SPECIFIED IN VIEW OF THEIR SUSCEPTABILITY FOR LIFTING DUE TO DAMAGE AND OVER TIGHTENING.

HARRIS -WALTON ALSO MANUFACTURE: FINE THREADS AND IN 316 STAINLESS STEEL.

